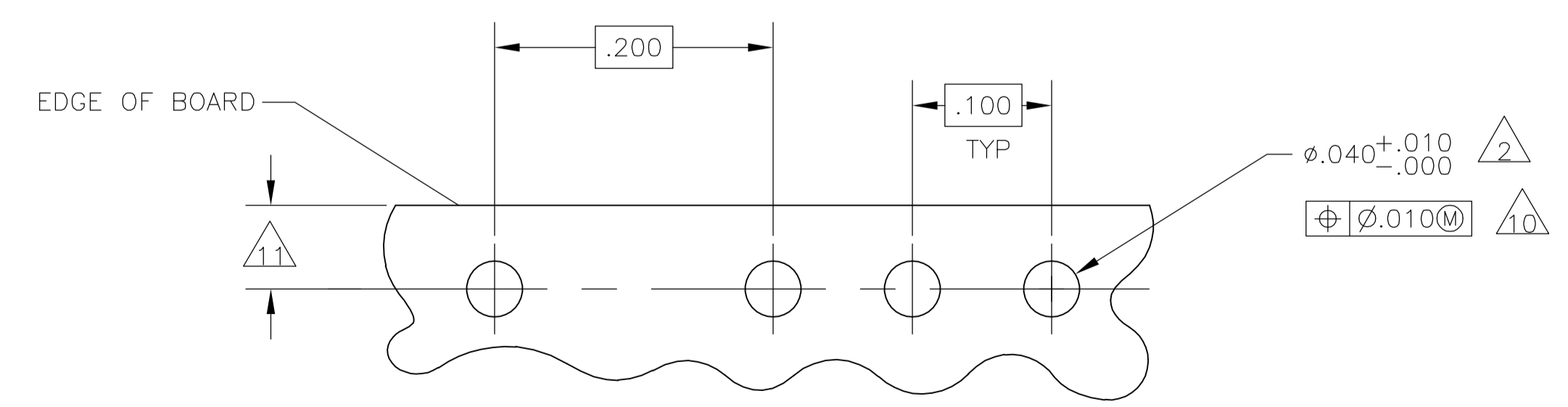
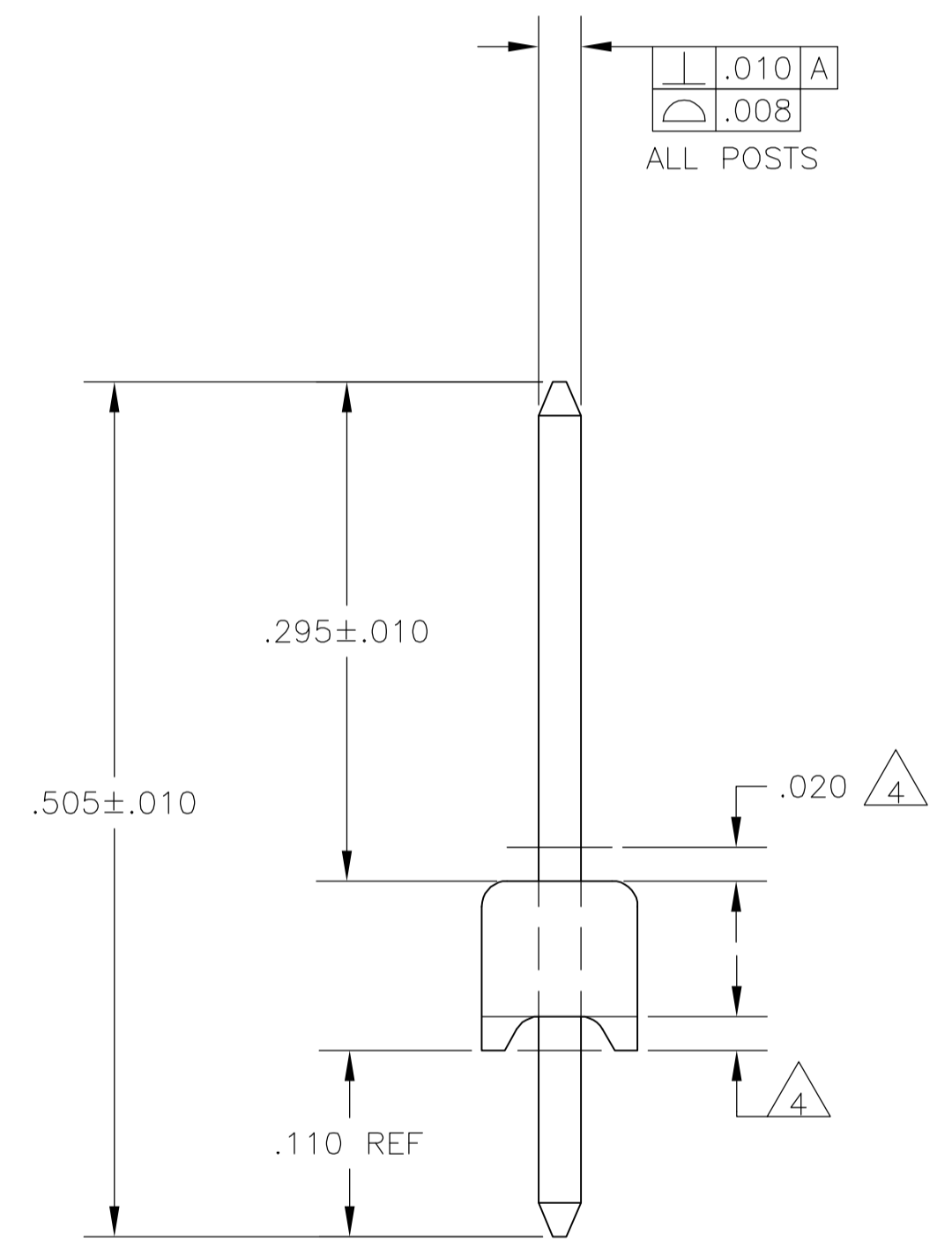
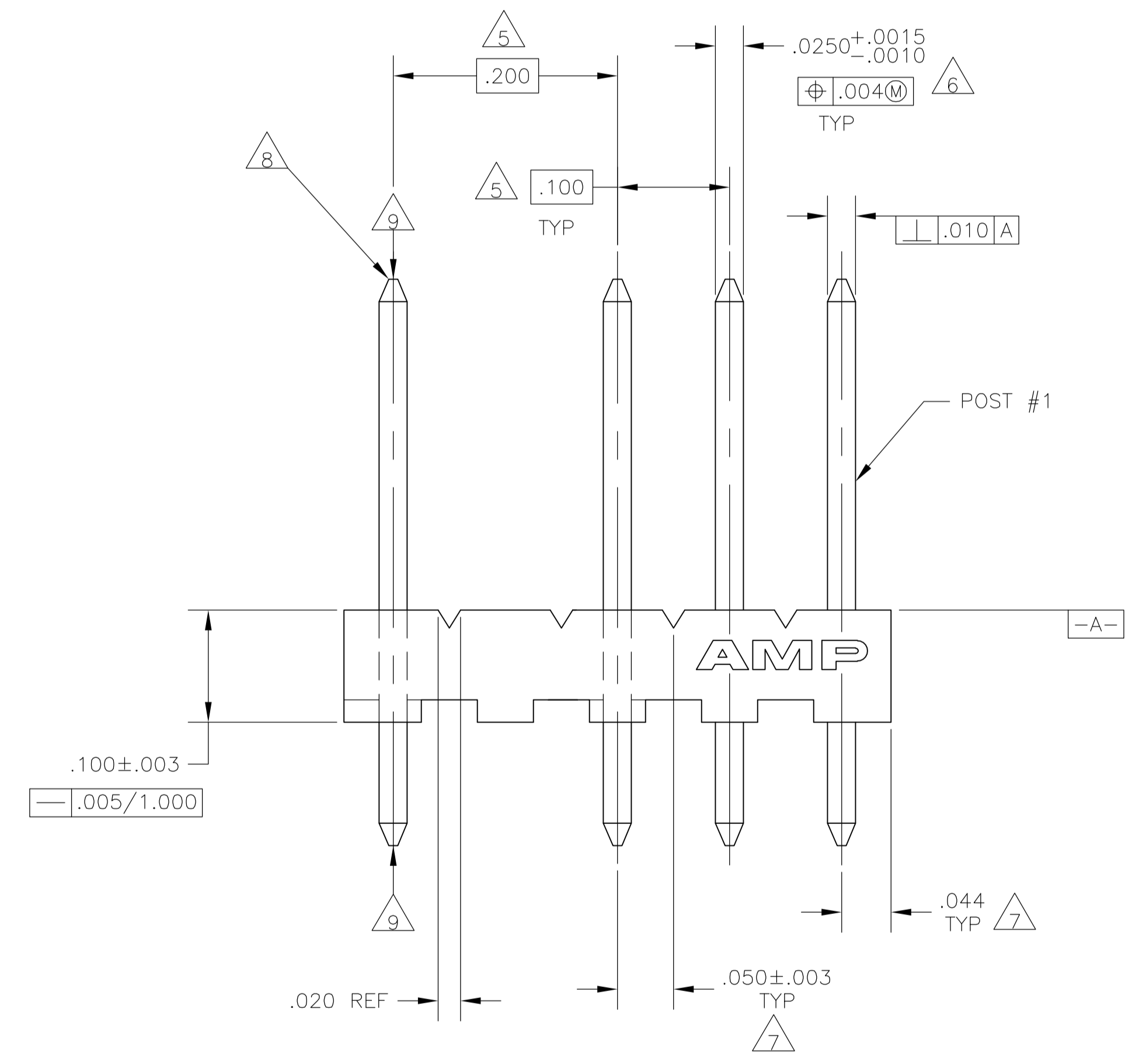
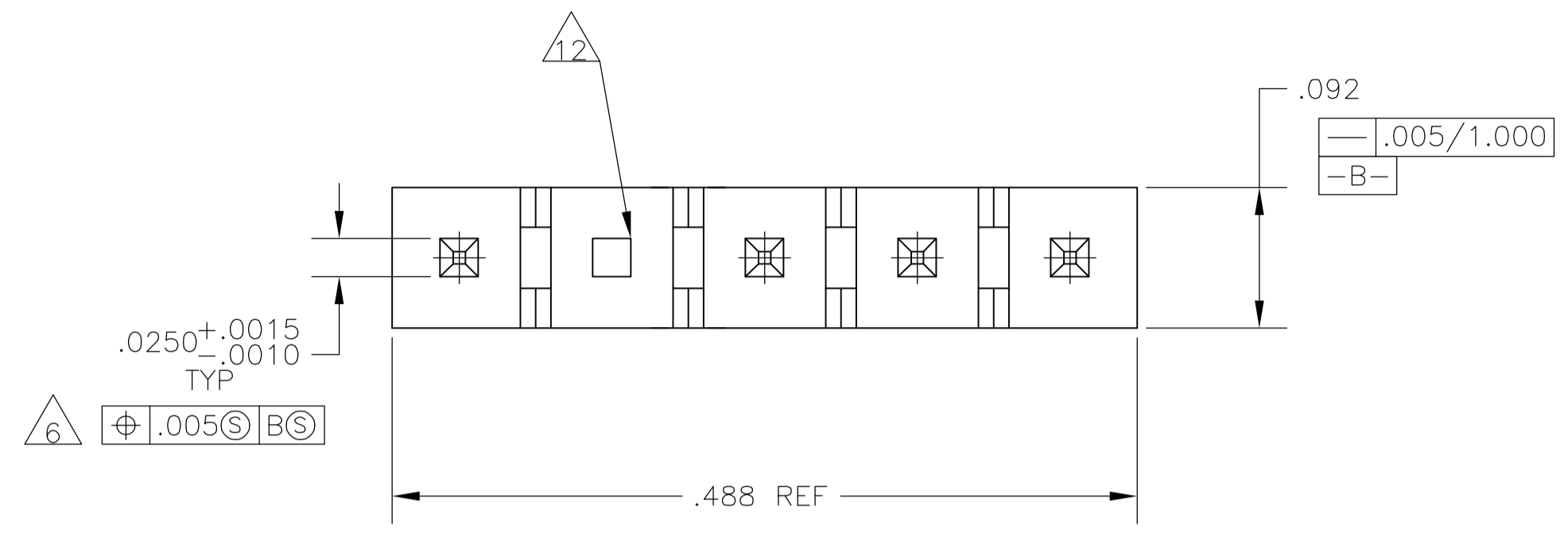


LOC		DIST		REVISIONS			
CM	00	REV	DATE	BY	APP'D	DATE	BY
F1		REVISED PER ECO-07-001393	19JAN07	KW	DB		

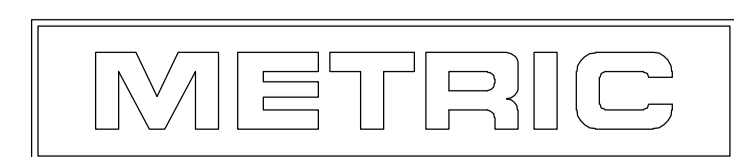


RECOMMENDED MOUNTING HOLE PATTERN FOR .063 THICK P.C. BOARD

- 1 MATERIAL:
 BASE: THERMOPLASTIC POLYESTER, UL 94V-0 (NATURAL).
 POST: COPPER ALLOY (TIN OR TIN-PLATED, .000150" MIN THICK-SEE PART NUMBER TABLE FOR DETAILS).
- 2 ONE HOLE MAY BE UNDERSIZED (.032-.035 DIA) FOR ASSEMBLY RETENTION DURING WAVE SOLDERING.
- 3. PARTS MUST COMPLY WITH AMP SOLDERABILITY SPEC 109-11-2.
- 4 PLASTIC AROUND POST PERMISSIBLE IN THIS AREA ONLY.
- 5 DIMENSION APPLIES WHEN HEADER IS HELD FLAT.
- 6 MEASURED AT -A-
- 7 COORDINATE DIMENSION APPLIES FROM CENTER OF ACTUAL FEATURE.
- 8 RADIUS AT TIP PERMITTED, BOTH ENDS.
- 9 POST MUST WITHSTAND 3.0 LB MIN AXIAL FORCE IN BOTH DIRECTIONS WITHOUT DISLODGING.
- 10 SOLDER SIDE OF BOARD IS SHOWN.
- 11 DIMENSION SHOULD BE .060 MIN WHEN MATING WITH A MTA-100 CONNECTOR ASSEMBLY OR A CST-100 CONNECTOR.
- 12 HOLE IN OMITTED POST LOCATION MAY NOT BE PRESENT.
- 13. AMP LOGO MAY OR MAY NOT APPEAR ON MOLDING HOUSING.

IN	MM	IN	MM
.035	0.89	1.000	25.40
.032	0.81	.505	12.83
.0250	0.635	.488	12.40
.025	0.64	.295	7.49
.020	0.51	.200	5.08
.010	0.25	.110	2.79
.008	0.20	.100	2.54
.005	0.13	.092	2.34
.004	0.10	.063	1.60
.003	0.08	.060	1.52
.0015	0.038	.050	1.27
.0010	0.025	.044	1.12
.000150	0.0038	.040	1.02
IN	MM	IN	MM

SUPERSEDED BY 3-644454-1	TIN	4	3-644454-1
	TIN-LEAD	4	644454-1
	FINISH	POST NO. OMITTED	PART NUMBER



THIS DRAWING IS A CONTROLLED DOCUMENT.

DIMENSIONS: INCHES	TOLERANCES UNLESS OTHERWISE SPECIFIED:	DIN 9137	07JULY2005	tyco Electronics	Tyco Electronics Corporation Harrisburg, Pa 17105-3608
0 PLC ± -	1 PLC ± -	2 PLC ± -	3 PLC ± -	4 PLC ± -	ANGLES ± -
MATERIAL		FINISH		SIZE	SCALE
TIN		TIN-LEAD		A1	10:1
FINISH		POST NO. OMITTED		00779	1 OF 1
CUSTOMER DRAWING		DRAWING NO		644454	REV F1